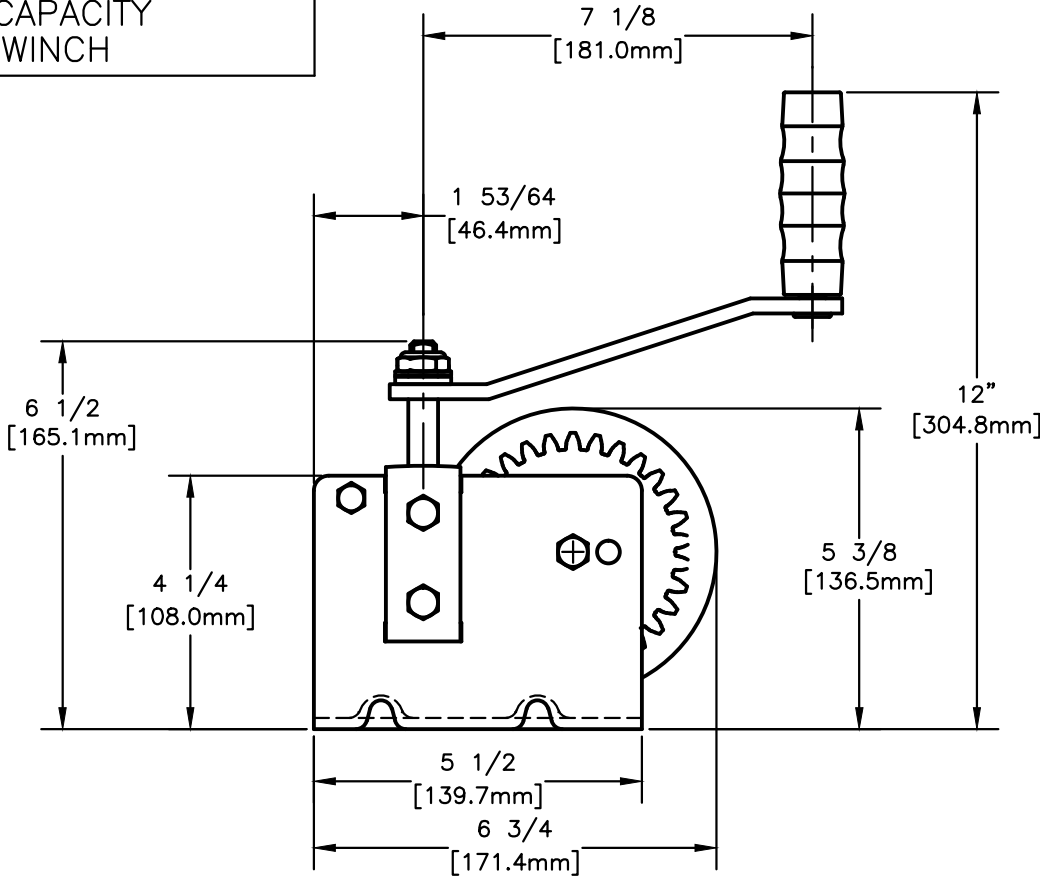
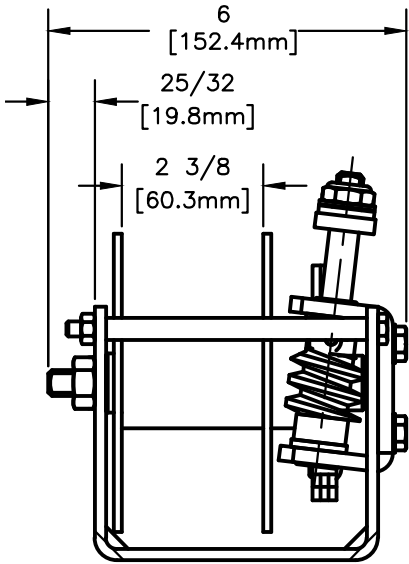


MODEL
 WG1500/WG1500SR
 1500lb/681kg CAPACITY
 WORM GEAR WINCH

FRONT & SIDE VIEW



BASE HOLE PATTERN

